

DIESELMECH Group

moving forward ; growing future

OUR PRODUCTS AND SERVICES



ABOUT US

Headquarter in Singapore, Dieselmec Group is composed of a strong team of engine professionals with engine manufacturers. Our primary goal is to provide comprehensive engine solutions to all our clients, ranging from engine maintenance to retrofitting solutions.

Our area of expertise encompasses both 2-stroke and 4-stroke engines, including conventional mechanical engines and the latest electronic engine models. And last but not least, we are able to supply engine spare parts accurately regardless you need Genuine or sourcing for OEM.

MISSION STATEMENT, MOVING FORWARD

We are committed and dedicated to deliver professional marine engineering solution to all our clients, at the most competitive cost.

VISION STATEMENT, GROWING FUTURE

Our humble beginning will inspire and innovate all marine engineers.

OUR PRESENCE AND LOCATIONS

Our workshops and service teams are located in Singapore, Johor and Batam to support entire Asia Pacific; Shanghai and Guangzhou to cover China; Dubai to serve the Middle East and Istanbul for Europe.

1 STOP SOLUTION

- Technical Services
- Spare Parts Supply

2 STROKE PORTFOLIO

- B&W MC, MC-C, ME-B, ME-C
- B&W ME-GI, ME-GIE, ME-GA, LGIM, LGIP
- Sulzer RTA, RT-FLEX
- WinGD-XD, XB, XDF, XDF-A, XDF-M

3 REGIONAL PRESENCE

- Asia
- Middle East
- Europe

4 STROKE PORTFOLIO

- HiMSEN
- MAN, MAN High-Speed
- Wartsila, Vasa
- Niigata
- Yanmar
- Daithatsu
- MAK



Our LOCATIONS

Singapore

China (Shanghai & Guangzhou)

Malaysia (Johor)

Indonesia (Batam & Jakarta)

UAE (Dubai)

Turkey (Istanbul)

ISTANBUL
TURKEY

UAE
UNITED
ARAB EMIRATES
DUBAI

CHINA

SHANGHAI
GUANGZHOU

MALAYSIA
JOHOR SINGAPORE BATAM

INDONESIA
JAKARTA



1. DRYDOCK MAINTENANCE

- Mechanical
- Pneumatic
- Electronic

2. TROUBLESHOOTING

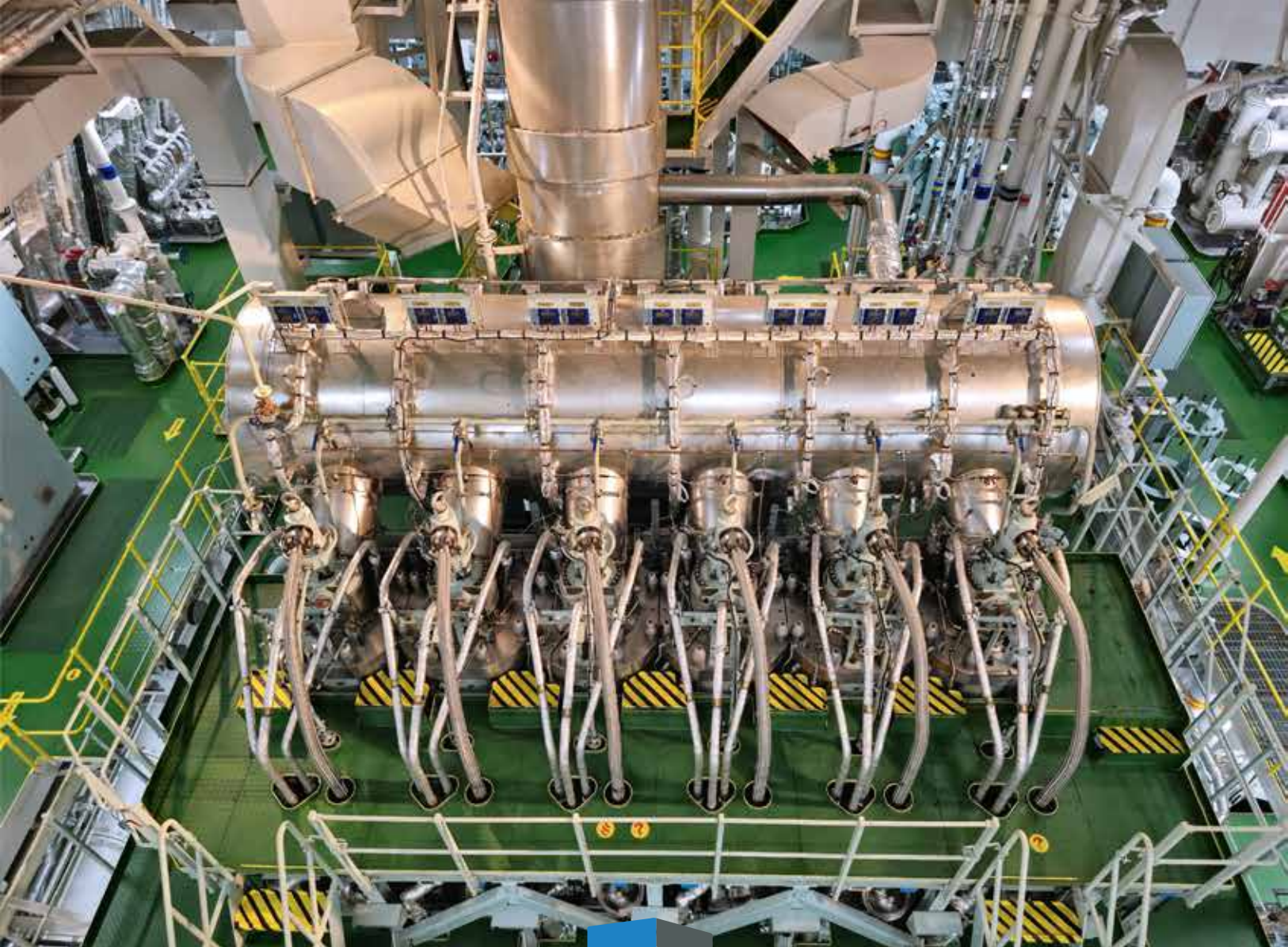
- Remote Assistance
- Warranty Request
- Health Check

3. RETROFIT UPGRADE

- Dual Fuel Conversion
- EEXI Compliance, EPL
- Lubricating System, HPS Upgrade
- De-rating Solution

2

STROKE SERVICES



DMG



DIESELMECH  **Group**

moving forward ; growing future

DIESELMECH  **asia** PTE LTD

moving forward ; growing future

DIESELMECH  **SDN.BHD.**

moving forward ; growing future

DIESELMECH  **HOLDINGS**

moving forward ; growing future

DIESELMECH  **INTL L.L.C.**

moving forward ; growing future

DIESELMECH  **Türkiye**

moving forward ; growing future

DIESELMECH  **UTAMA**

moving forward ; growing future



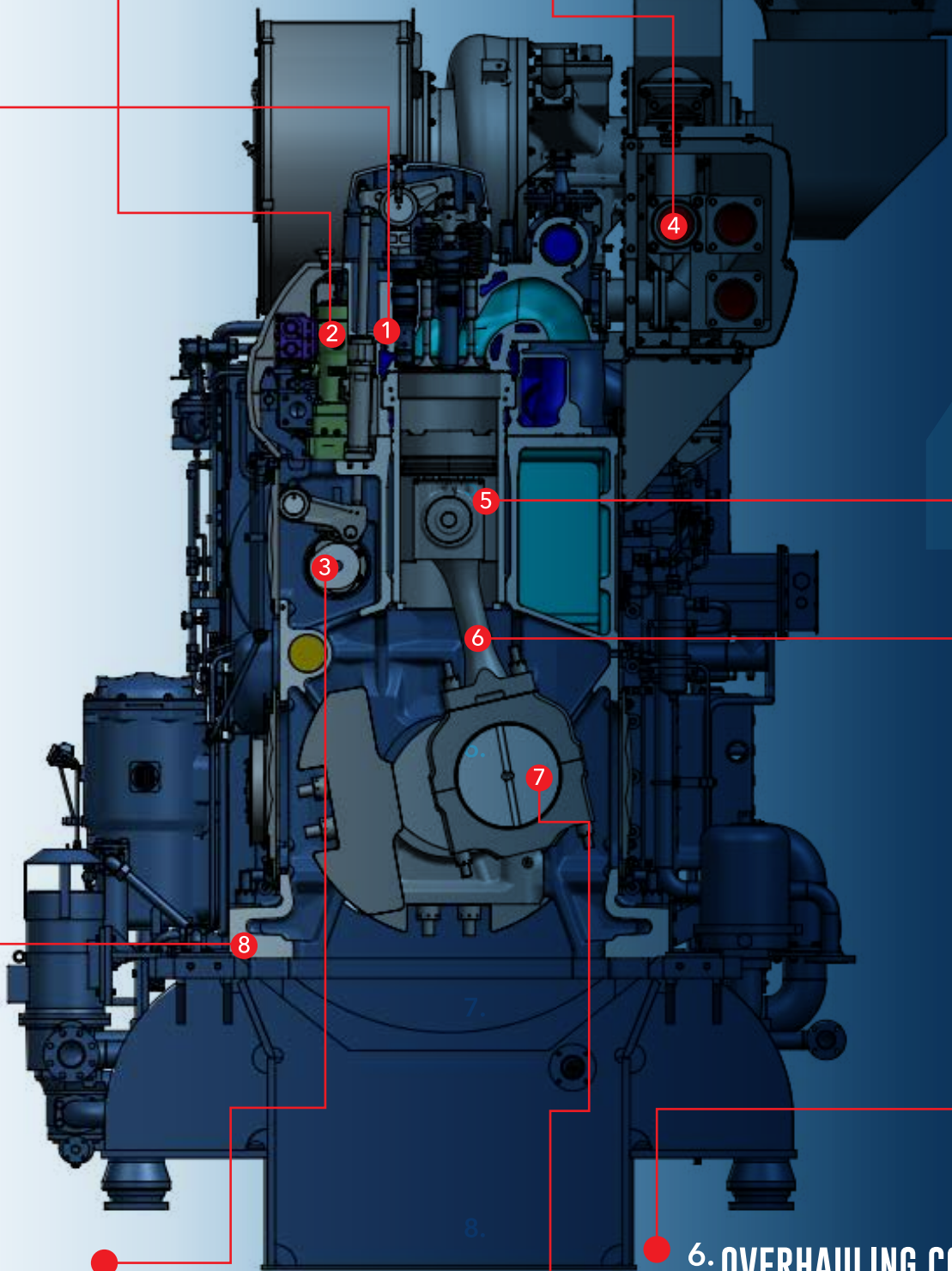


4. EXHAUST SYSTEM, TURBOCHARGER

1. OVERHAULING OF CYLINDER HEADS

5. OVERHAULING PISTON ASSEMBLIES

2. OVERHAULING OF FUEL SYSTEM



3. CAMSHAFT BEARING RENEWAL

6. OVERHAULING CONNECTING RODS AND MARINE HEADS

8. ENGINE BLOCK RENEWAL

7. CRANKSHAFT REPAIR AND RENEWAL

HiMSEN
MAN
Wartsila
Niigata
Yanmar
Daihatsu
Bergen
MAK



A. VOYAGE REPAIR

- Major Overhauling
- Supervision
- Troubleshooting

B. ELECTRICAL SERVICES

- Switchboards
- AMS and PMS
- Cablings and Installation

C. SPECIALIZE

- Crankshaft Repair and/or Renewal
- Engine Block Renewal
- Commissioning

4 STROKE SERVICES

Workshop Competence and Facilities

- Reconditioning
- Liner honing and LDM
- Fuel Pumps and Injectors
- Components Overhauling
- Lubricators
- Air Starting Motors
- Purifiers
- Pumps and Valves



2-STROKE ENGINE SPARE

- MAN B&W
- Hyundai
- HSD Doosan
- CMS, CSSC
- Sulzer, WinGD



CYLINDER LINER



CYLINDER COVER



PISTON CROWN



EXH. VALVE & SEAT



FUEL VALVE PART



PUMP BARREL



PISTON RING



FUEL PUMP COMPLETE



DIGITAL CRANKSHAFT
DEFLECTION GAUGE



BEARING



MPC & MPC-10



LUBRICATOR



MCU & BCU

**PARTS YOU TRUST,
SERVICE YOU RELY**

4-STROKE ENGINE SPARE

- HiMSEN
- MAN
- Wartsila
- Yanmar
- Daihatsu
- Niigata



CYLINDER LINER



CYLINDER HEAD



FUEL PUMP



ATOMIZER



PISTON



NOZZLE RING



FUEL VALVE



CONNECTING ROD



BEARING



PISTON PIN



CAMSHAFT



PISTON RING



VALVE SPINDEL & SEAT RING



ROCKER ARM



**Certified
OJT
Centre**

ADVOCATE

proudly presented to

DIESELMECH ASIA PTE. LTD.

For adopting a structured OJT System
recognised by
Institute of Technical Education, Singapore

October 2024

Date of Issue

Chief Executive Officer
Institute of Technical Education

**Approved Training Center recognize by
the Institute of Technical Education, Singapore**



As of 1st Oct 2024, Dieselmech Asia was invited by our national Institute of Technical Education to be appointed as one of the "Certified-On-Job-Training Center" for Marine Engineering Diploma.

OUR CORPORATE PARTNERS



OUR CORPORATE CUSTOMERS



Dieselmach Asia Pte Ltd (Singapore)
Dieselmach Sdn Bhd (Johor, Malaysia)
PT Dieselmach Utama Indonesia (Batam & Jakarta, Indonesia)
Dieselmach Holdings (Guangzhou & Shanghai, China)
Dieselmach International LLC (Dubai, UAE)
Dieselmach Muhendislik Turkiye AS (Istanbul, Turkey)

OUR LOCATIONS:

Dieselmach Asia Pte Ltd (Singapore)
51C Tuas South Avenue 1,
Tuas Cove Industrial Centre, Singapore 637262
Email: service@dieselmach.com.sg
sales@dieselmach.com.sg
info@dieselmach.com.sg



OUR SUBSIDIARY:

Armco Marine Services Pte. Ltd. (since 1979)

5 Everton Park, #01-26, Singapore 080050
Tel: +65 6221 0185
Email: sales@armco-marine.com

Our Services

Land Transportation Services
Sea Transportation Services
Cargo Boat Launch Services
Logistic Support
Ship Agency

